

Catalog Number	
Project Notes	

Linear Strip

Features & Functionality

- Purpose** LED strip luminaire for indoor IP20 applications. Under cabinet/shelf.
- Material** Aluminum body with polycarbonate lens and integral driver
- Mounting** Mounting clips included
- LED** High power LEDs behind polycarbonate diffusor lens
- Color Temp.** 3000°K, 3500°K, 4000°K and 5000°K available
- Optics** 120°
- Output** Up to 1,800 Lumens
- Voltage** 120V
- Lifespan** 50,000 hours
- Warranty** 5-year warranty



Lumen Information

LENGTH	LUMENS	WATTAGE	EFFICACY
11"	500Lm	5W	100Lm/W
21"	900Lm	9W	100Lm/W
33"	1,200Lm	12W	100Lm/W
45"	1,500Lm	15W	100Lm/W
56"	1,800Lm	18W	100Lm/W

Product Selection Guide

Example: AT-44-15-35

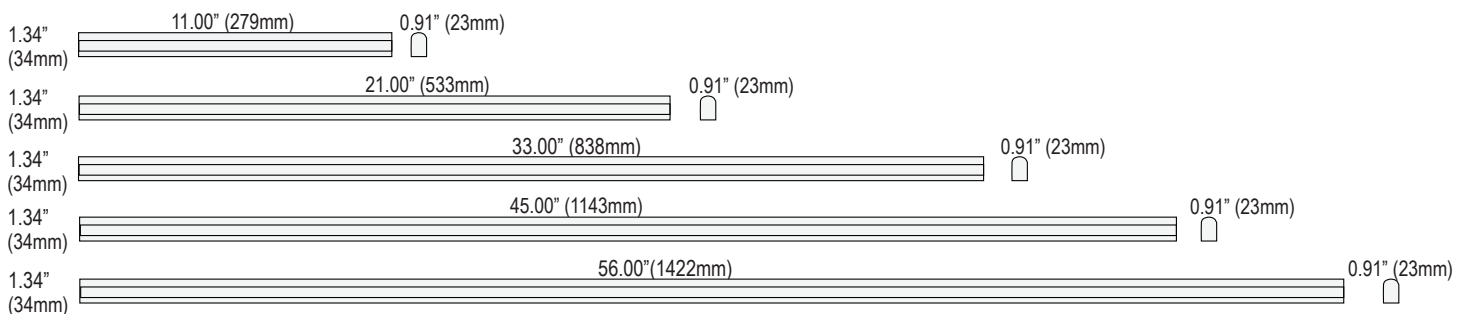
PRODUCT	LENGTH	WATTAGE	COLOR TEMP
AT – Attain LED	11	005 – 5W (11")	30 – 3000°K
	21	009 – 9W (21")	35 – 3500°K
	33	012 – 12W (33")	40 – 4000°K
	44	015 – 15W (45")	50 – 5000°K
	56	018 – 18W (56")	

Mounting

Mounts with included mounting brackets.
Can be mounted under cabinet, shelf, wall or cove.

Dimensional Information

LENGTH	WIDTH	HEIGHT
11"	0.91"	1.34"
21"	0.91"	1.34"
33"	0.91"	1.34"
45"	0.91"	1.34"
56"	0.91"	1.34"



Linear Strip PHOTOMETRY

